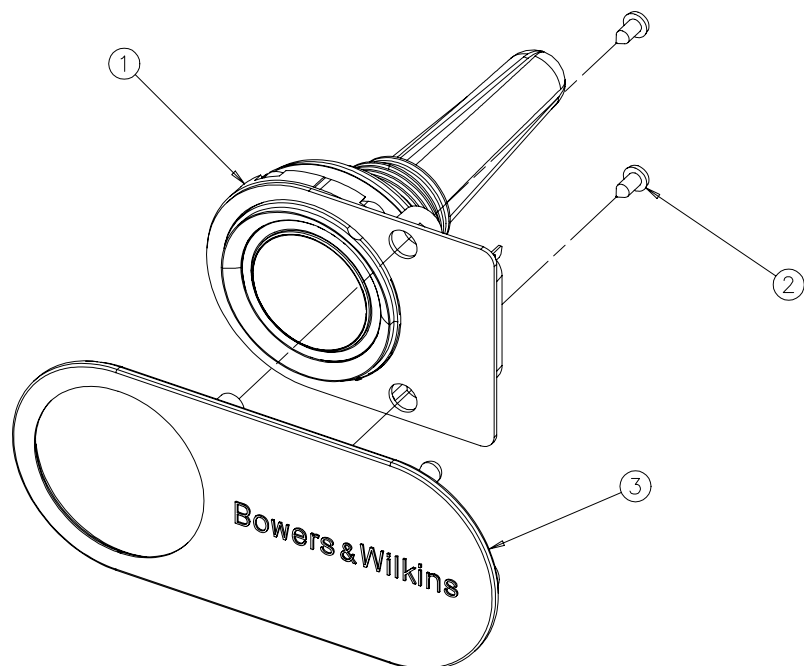


ITEM.	QTY	DESCRIPTION	PART NUMBER
1	1	6 INCH BASS-MID UNIT ASSEMBLY - A8156	LF01589
2	1	6 Inch Trim Assembly Black - A8193	RR25438
3	1	685 CABINET ASSEMBLY - C8096	YY23949
4	1	685 CROSSOVER TERMINAL TRAY ASSEMBLY - A8272	XX15095
5	1	685 Grille Assembly Black - A8165	ZG03227
6	1	685-683 TWEETER ASSEMBLY (Long Trim) - A8206	HF00655
7	2	Adhesive Foot - A8296	FF24275
8	4	Clear Stick On Foot	FF00981
9	1	Foam Bung - A8325	FF24287
10	1	Gasket Port Flare 40mm A8221	GG10905
11	1	Generic 6 Inch Chassis Gasket - A8167	GG10747
12	8	Grommet Flush Black	GG11063
13	1	Port Flare 40mm Black Soft Touch Finish	PP27419
14	1	Port Tube 40mm x 47mm lg Black - B8227	PP27628
15	8	SCREW M4x12 CAP HD SKT BLACK	HH02089
16	2	SCREW M6x10 PAN HD POZI	HH11711
17	4	SCREW No6x5/8 ST CSK HH POZI BLACK	HH02062
18	1	Serial Label 685	SS13203
19	1	Special Nut - A8210	HH31317

ALL COMPONENTS MUST BE RoHS COMPLIANT

 Bowers & Wilkins	DIMENSIONS IN mm TOLERANCES 0. ± 0.5 0.0 ± 0.3 0.00 ± 0.1 ANGLES ± 0.5° UNLESS OTHERWISE STATED	MATERIAL SEE ITEMS LIST	FINISH N/A	2 GG11063 NOW 8-OFF PDC2500 23.11.06 AMENDMENT ECN NO. DATE APPROVAL	COPYRIGHT © 2006 DRAWN GMP DATE 30-10-06 CHECKED / APPROVED	PART NO. FP25959 DRG. NO. ISS A8110-1-1 (2)
	TITLE 685 GENERAL ASSEMBLY			SCALE 1:4 FULL DRG SIZE A3		



Item	Qty	Name	Part #
1	1	HF Motor System - A8211	ZZ23205
2	2	SCREW FOR THERMOPLASTIC DIA3 X 6.5-7 PAN POZI	HH31324
3	1	Tweeter Trim Assembly 600s4 (Long Trim) A8208	BB14595

ISSUE HISTORY

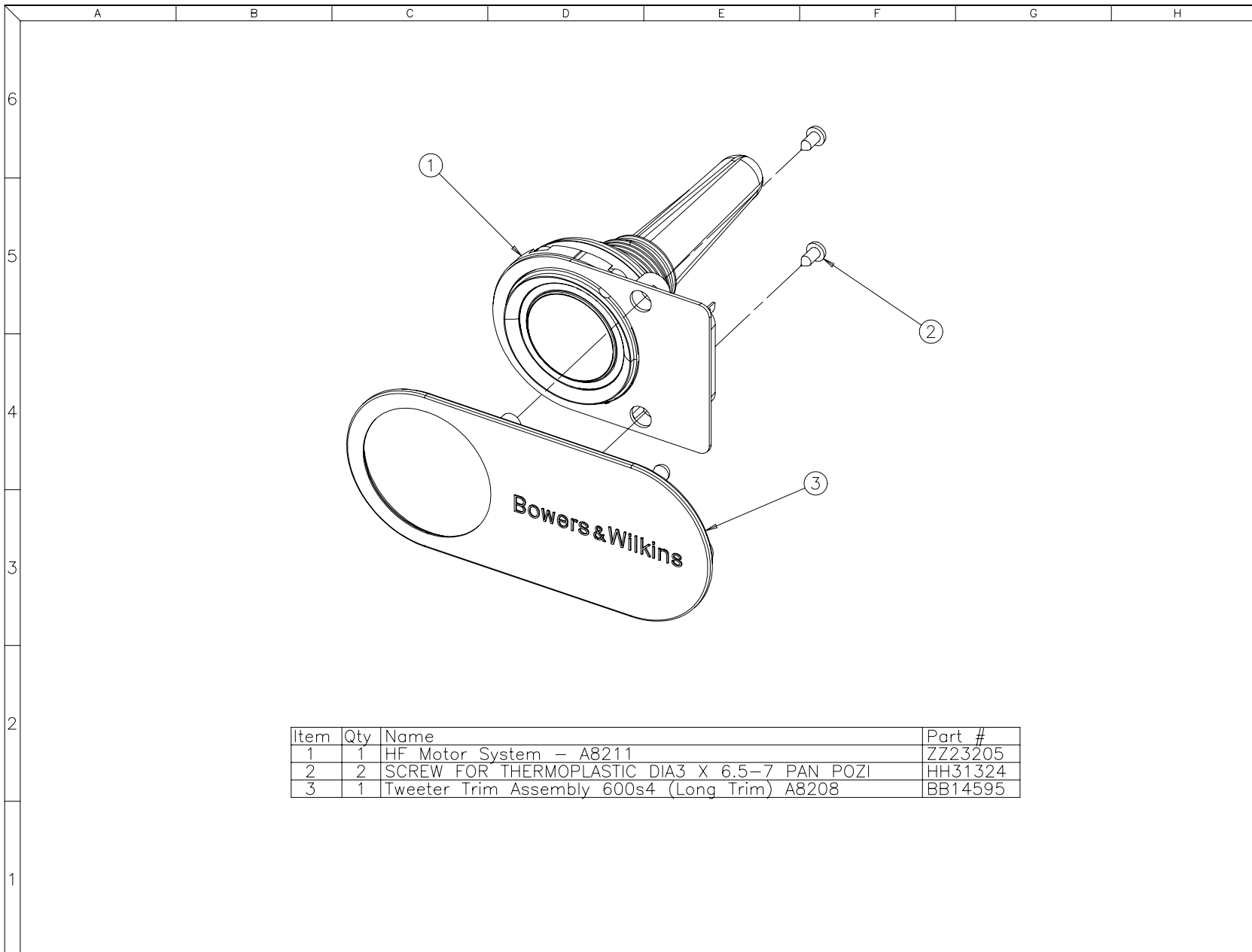
ISS	ECR/SAN NUMBER	REQ
1		PP
DRN	DATE	CKD
RM	3.5.07	

ISSUE DETAILS:
INITIAL ISSUE

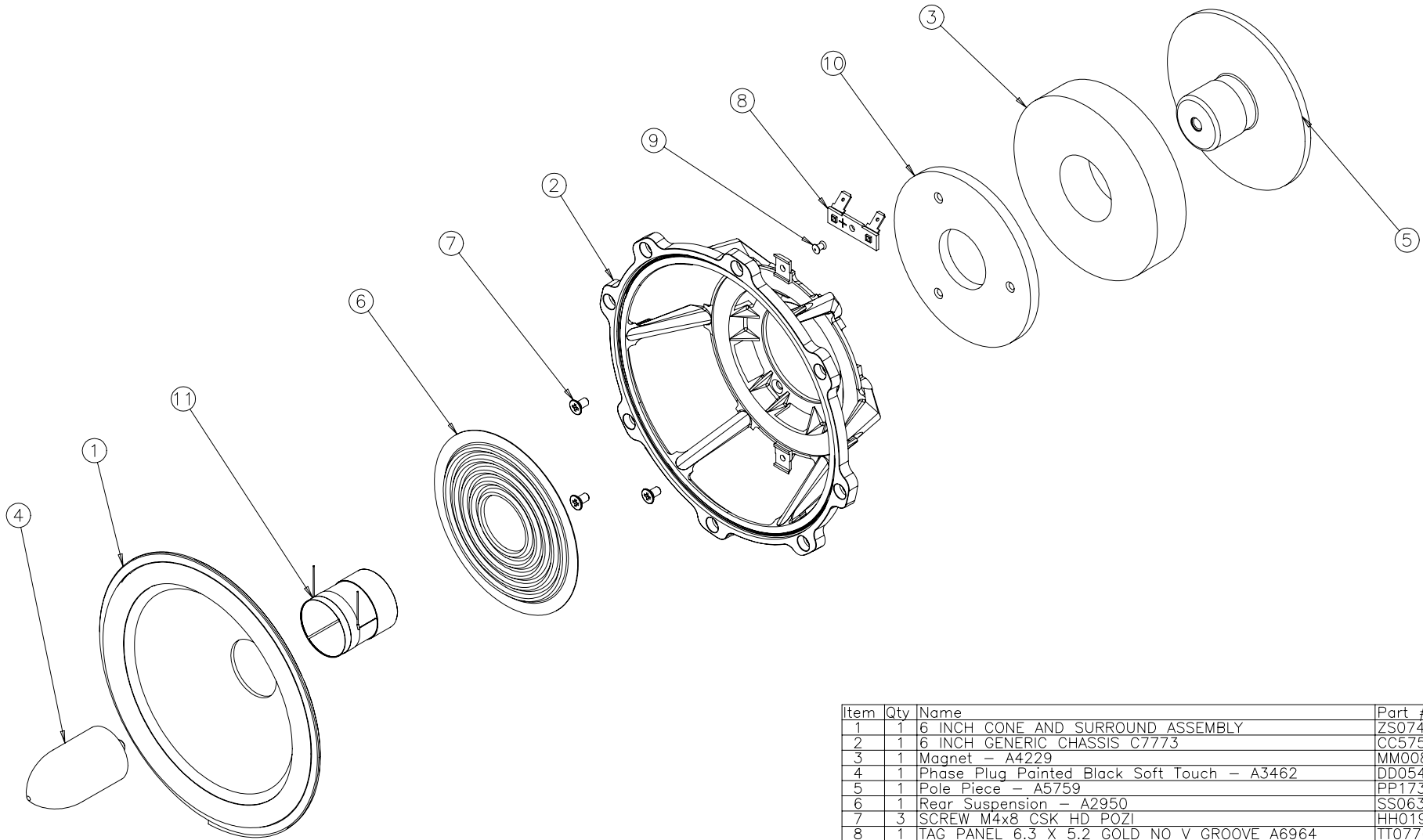
ISS	ECR/SAN NUMBER	REQ
DRN	DATE	CKD

ISSUE DETAILS:

IF IN DOUBT ASK
ALL COMPONENTS MUST BE RoHS COMPLIANT



	MATERIAL	FINISH	TITLE	FIRST DRAWN BY	COPYRIGHT	DOC PART NO.	PART NO.
	-	-	TWEETER U/S LONG TRIM	RM	2007 B&W GROUP LTD		HF00655
				DATE	SCALE	DRG SIZE	3-D DATA FILE NO. A8206-1SS-①
				3.5.07	1:1	A3	2-D DRG. NO. SHEET OF A8206-1-1-1SS-①



Item	Qty	Name	Part #
1	1	6 INCH CONE AND SURROUND ASSEMBLY	ZS07455
2	1	6 INCH GENERIC CHASSIS C7773	CC57516
3	1	Magnet - A4229	MM00884
4	1	Phase Plug Painted Black Soft Touch - A3462	DD05436
5	1	Pole Piece - A5759	PP17384
6	1	Rear Suspension - A2950	SS06386
7	3	SCREW M4x8 CSK HD POZI	HH01928
8	1	TAG PANEL 6.3 X 5.2 GOLD NO V GROOVE A6964	TT07765
9	1	TAG RIVET	RR00213
10	1	Top Plate - A3617	PP10919
11	1	VOICE COIL ASSY A8230	ZV02859

ALL COMPONENTS MUST BE RoHS COMPLIANT

Bowers & Wilkins

DO NOT SCALE

DIMENSIONS IN mm

TOLERANCES

0. ± 0.5

0.0 ± 0.3

0.00 ± 0.1

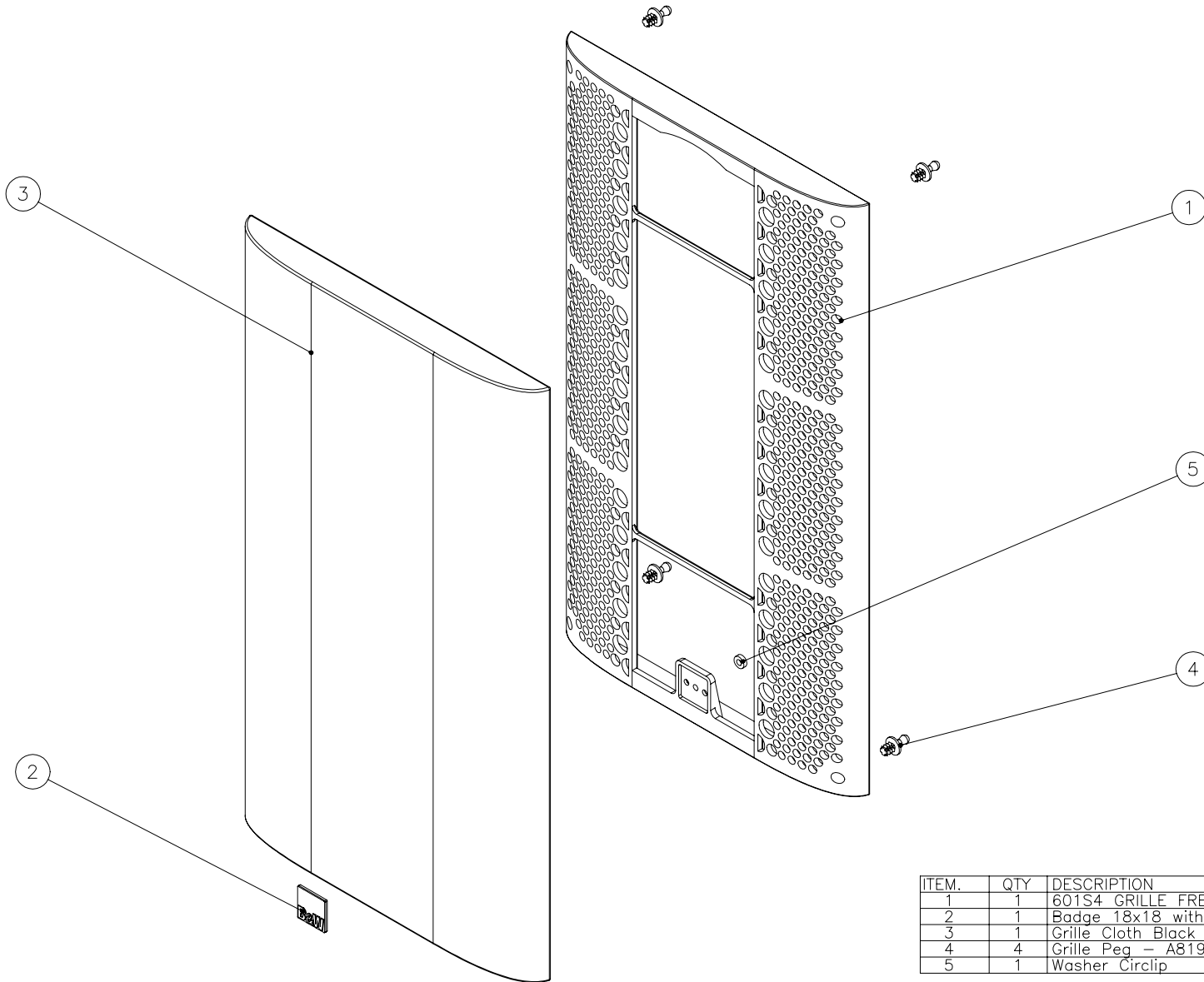
ANGLES ± 0.5°

UNLESS OTHERWISE STATED

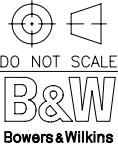
MATERIAL	SEE ITEMS LIST
FINISH	N/A

4	LL03000 REMOVED	PDC2524	15.12.06		
2	RR25526 REMOVED	PDC2518	1.12.06	TM	
2	DD05436 WAS DD05286	PDC2518	30.11.06	TM	
ISS	AMENDMENT	ECN NO.	DATE	APPROVAL	
TITLE	6 INCH BASS UNIT ASSEMBLY				

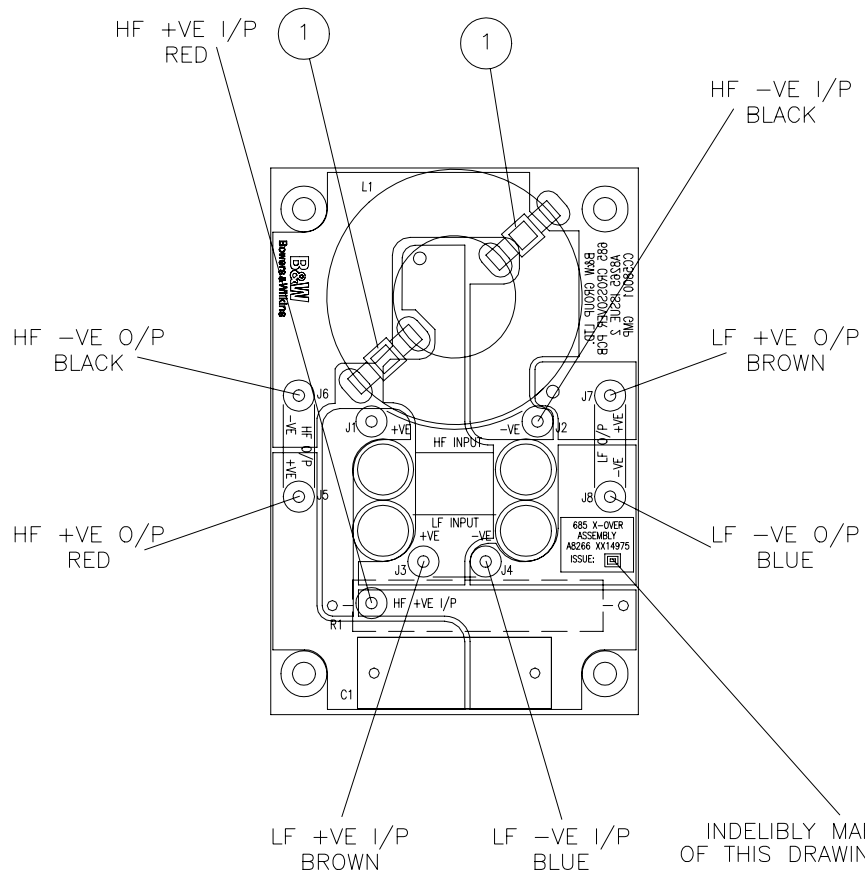
COPYRIGHT © 2006		PART NO.
DRAWN GMP	DATE 24-10-06	LF01589
CHECKED / APPROVED		
SCALE 1:2	DRG. NO.	ISS
FULL DRG SIZE A3	A8156-1-1	④



ITEM.	QTY	DESCRIPTION	PART NUMBER
1	1	601S4 GRILLE FRET - C8164	GG10669
2	1	Badge 18x18 with spigot Black	BB10696
3	1	Grille Cloth Black	FF23849
4	4	Grille Peg - A8190	MM04247
5	1	Washer Circlip	FF00566

 <p>Bowers & Wilkins</p>		DIMENSIONS IN mm TOLERANCES 0. ± 0.5 0.0 ± 0.3 0.00 ± 0.1 ANGLES ± 0.5° UNLESS OTHERWISE STATED	MATERIAL SEE ITEMS LIST	FINISH N/A	ISS AMENDMENT ECN NO. DATE APPROVAL	TITLE 601S4 GRILLE ASSEMBLY BLACK	COPYRIGHT © 2006 DRAWN GMP DATE 10-8-06 CHECKED / APPROVED	PART NO. ZG03227	DRG. NO. A8165-1-1	ISS ①
---	--	--	----------------------------	---------------	---	---	--	----------------------------	------------------------------	-----------------

The Supplier shall ensure that the Goods, including associated manufacturing practices, conform in all respects with the requirements of all applicable statutes, orders or regulations

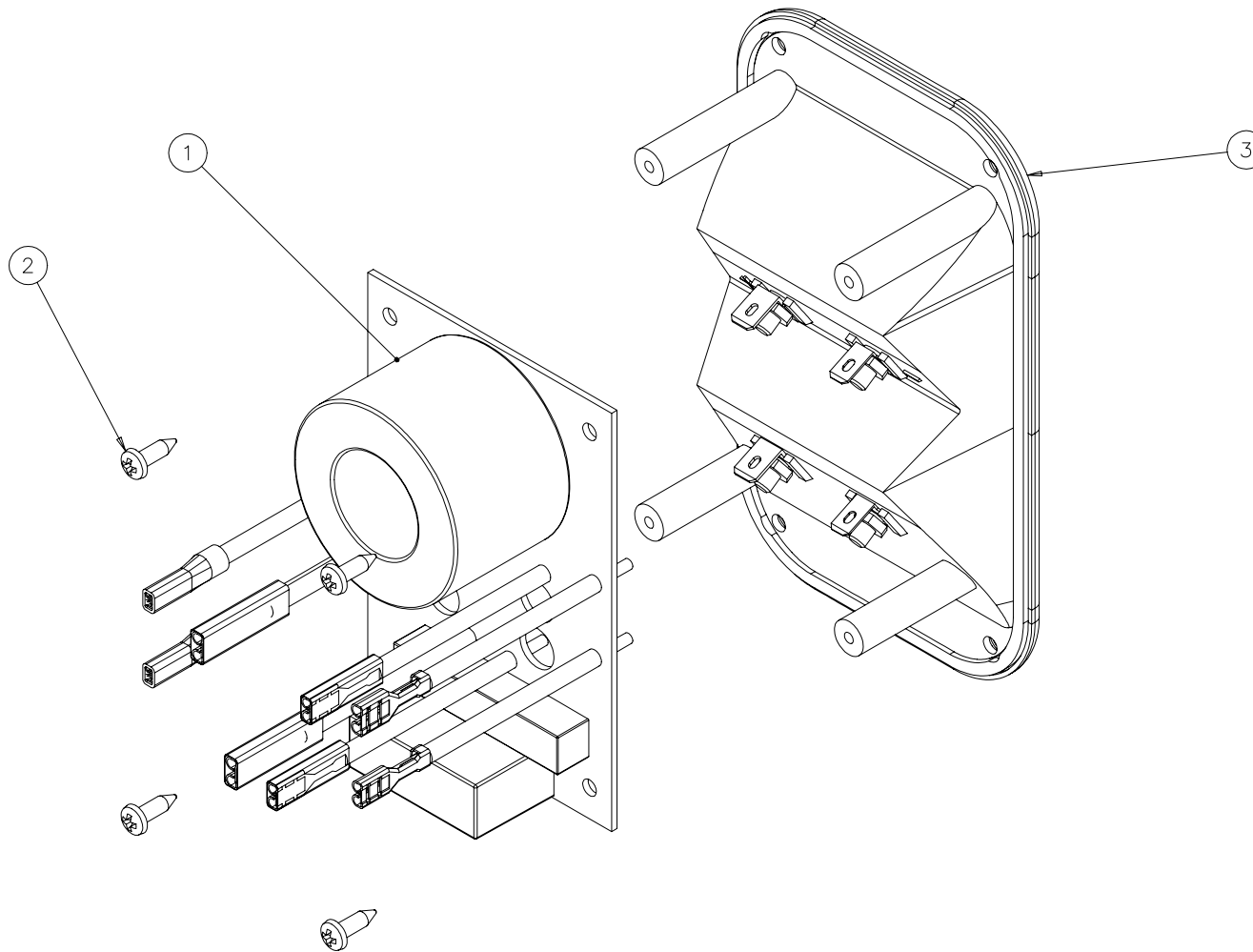


1	CC06513		2	CABLE TIE
L1	ZL02789		1	INDUCTOR 1.35 mH 1.2mm WIRE AIR CORE
C1	CC58147		1	CAPACITOR 4u3 200VAC +/-5%
R1	NOT FITTED		1	RESISTOR (NOT FITTED)
HAR	ZX08437	A8267	1	HARNESS
PCB	CC58001	A8265	1	PCB
ASSY	XX14975	A8266		PCB ASSEMBLY
ITEM	PART No.	DRG No.	QTY	DESCRIPTION

INDELIBLY MARK THE ISSUE OF THIS DRAWING IN THIS BOX.


ALL COMPONENTS MUST BE RoHS COMPLIANT.

	DIMENSIONS IN mm TOLERANCES 0. ± 0.5 0.0 ± 0.3 0.00 ± 0.1 ANGLES ± 0.5° UNLESS OTHERWISE STATED	MATERIAL SEE NOTES	FINISH SEE NOTES	3 SLOTS ADDED TO PCB ECR3066 03-10-08	2 ZL02789 WAS ZL02712 (1.10mH) & CC58147 WAS CC58153 (4u7) FTFC2528 8-12-06	COPYRIGHT © 2006 DRAWN GMP DATE 18-9-06 CHECKED / APPROVED	PART NO. XX14975
	DO NOT SCALE	TITLE 685 CROSSOVER PCB ASSEMBLY	ISS AMENDMENT ECN NO. DATE APPROVAL	SCALE 1:1 FULL DRG SIZE A3	DRG. NO. ISS A8266-1 -1 (3)		



ITEM.	QTY	DESCRIPTION	PART NUMBER
3	1	TERMINAL TRAY ASSEMBLY - A8372	ZT01007
2	4	SCREW No5x1/2 INCH PAN POZI (ROTEL)	HH31536
1	1	685 CROSSOVER PCB ASSEMBLY - A8266	XX14975

ALL COMPONENTS MUST BE RoHS COMPLIANT

 DO NOT SCALE

B&W
Bowers & Wilkins

DIMENSIONS IN mm

TOLERANCES
 0. ± 0.5
 0.0 ± 0.3
 0.00 ± 0.1
 ANGLES ± 0.5°

UNLESS OTHERWISE STATED

MATERIAL	SEE ITEMS LIST
FINISH	N/A

ISS	AMENDMENT	ECN NO.	DATE	APPROVAL
3		ECR2611	04-04-07	
2		ECR2513	18-12-06	
TITLE				
685 TERMINAL TRAY-CROSSOVER ASSEMBLY				

COPYRIGHT © 2006	PART NO.
DRAWN GMP	DATE 18-10-06
CHECKED / APPROVED	XX15095
SCALE 1:1	DRG. NO.
FULL DRG SIZE A3	A8272-1-1 (3)

B&W

TITLE

TERMINAL TRAY ASSEMBLY

DRG. NO.

A8372-1-1

ISS

1

COPYRIGHT © 2006

DATE

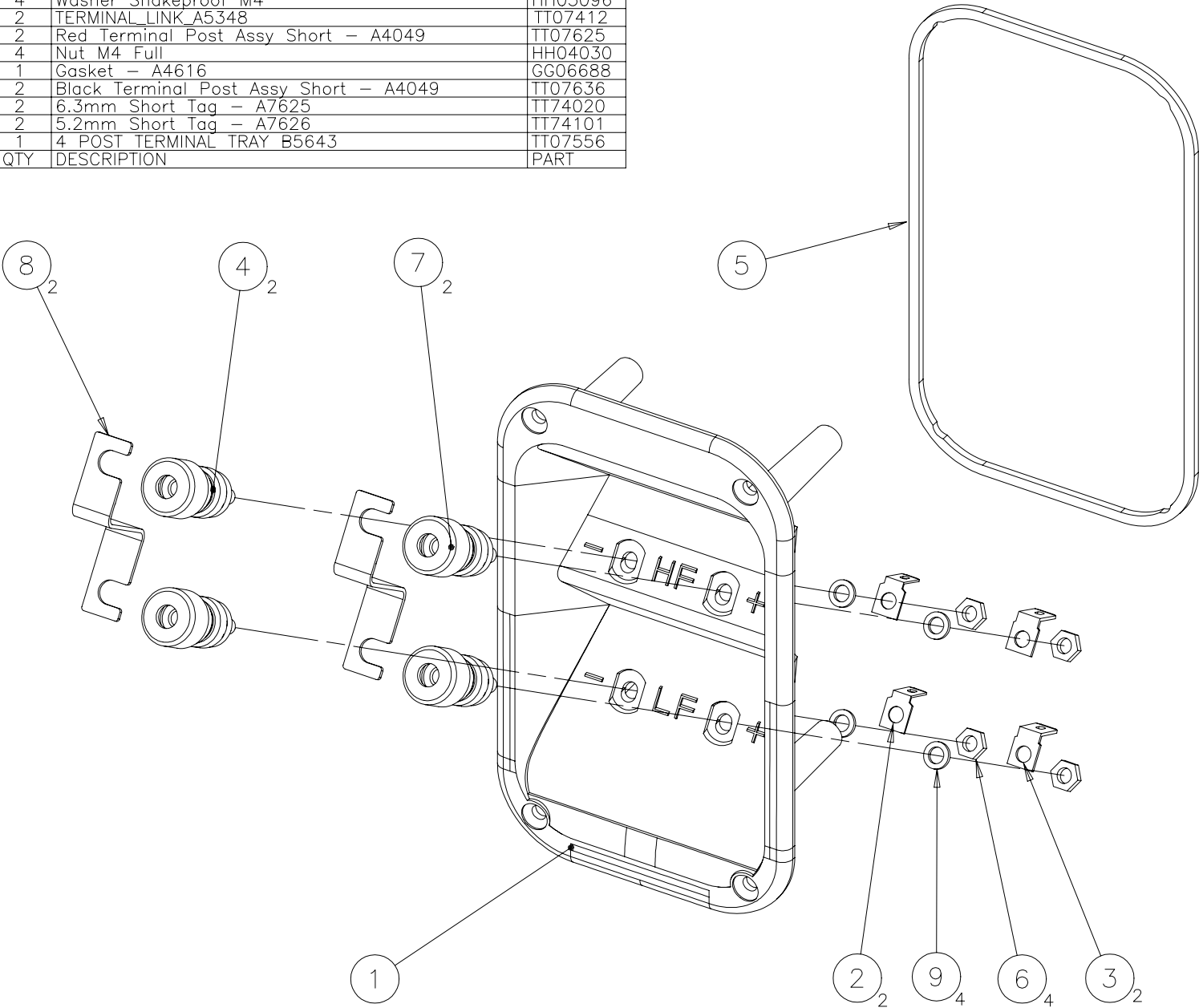
23-11-06

DRAWN

GMP

PART NO.
ZT01007

ITEM	QTY	DESCRIPTION	PART
9	4	Washer Shakeproof M4	HH05096
8	2	TERMINAL_LINK_A5348	TT07412
7	2	Red Terminal Post Assy Short - A4049	TT07625
6	4	Nut M4 Full	HH04030
5	1	Gasket - A4616	GG06688
4	2	Black Terminal Post Assy Short - A4049	TT07636
3	2	6.3mm Short Tag - A7625	TT74020
2	2	5.2mm Short Tag - A7626	TT74101
1	1	4 POST TERMINAL TRAY B5643	TT07556



ISSUE

AMENDMENT

ECN No.

DATE

APPROVAL



Bowers & Wilkins

TITLE

685 HARNNESS ASSEMBLY

DRG. NO.

A8267-1-1

ISS

4

COPYRIGHT © 2006

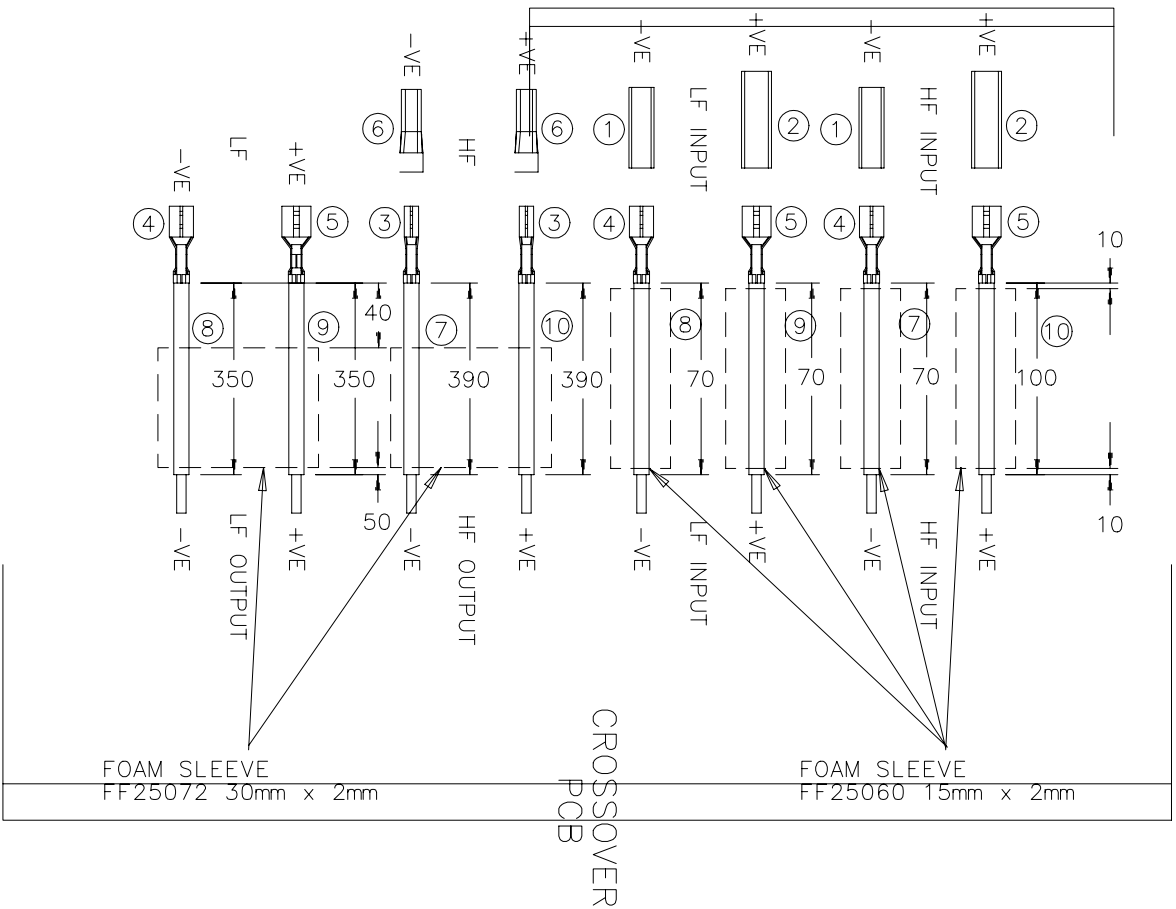
DATE 19-9-06

DRAWN GMP

PART NO.

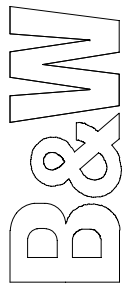
ZX08437

TERMINAL TRAY



ITEM	QTY	DESCRIPTION	PART NUMBER
10	2	WIRE RED 14 AWG - ROTEL	WW00523
9	2	WIRE BROWN 14 AWG - ROTEL	WW00549
8	2	WIRE BLUE 14 AWG - ROTEL	WW00558
7	2	WIRE BLACK 14 AWG - ROTEL	WW00531
6	2	SHROUD 2.8mm BLADE TERMINAL - ROTEL	SS01082
5	3	BLADE TERMINAL 6.3mm GOLD FEMALE - ROTEL	TT01007
4	3	BLADE TERMINAL 5.2mm GOLD FEMALE - ROTEL	TT01015
3	2	BLADE TERMINAL 2.8mm GOLD FEMALE - ROTEL	TT01023
2	2	6.3 TERMINAL TAG SHEATH	CC51365
1	2	5.2 TERMINAL TAG SHEATH	CC51259

4	DRAWING CHANGE ONLY, 2 x 10mm DIMENSIONS ADDED.	1+12-08	
2	FOAM SLEEVES FF25072 & FF25060 ADDED	ECR3078	25.11.08
ISSUE	AMENDMENT	ECN No.	DATE
			APPROVAL



TITLE:

685 CROSSOVER
PCB CIRCUIT DIAGRAM

DRG No:

A8265-2-2

ISSUE

2

DATE: 18-9-06

© 2006

DRAWN: GMP

PART No: CC58001

J4
-VE

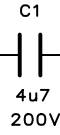
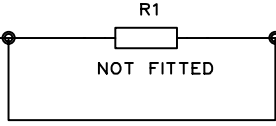
LF INPUT

J3
+VE

J2
-VE

HF INPUT

J1
+VE



J8
-VE

LF OUTPUT

J7
+VE

J6
-VE

HF OUTPUT

J5
+VE

2

SLOTS ADDED FOR CABLE TIE

ISSUE

AMENDMENT

ECR3066

03-10-08

ECN No.

DATE

APPROVAL